



# KT-EMRG-LED-12C-1200-EN /DF

## CONSTANT WATTAGE LED EMERGENCY BACK-UP

### DESCRIPTION

LED Emergency Back-Up Driver | Dual Flex Conduit | 12W Output | 120–277V Input

<b>DRIVER TYPE:</b> Constant Wattage LED Emergency
<b>MAX. OUTPUT POWER:</b> 12W
<b>INPUT VOLTAGE:</b> 120–277Vac $\pm$ 10%
<b>OUTPUT VOLTAGE:</b> 20–54Vdc
<b>OUTPUT CURRENT:</b> 600–250mA
<b>WARRANTY:</b> 5 Years



### PRODUCT FEATURES

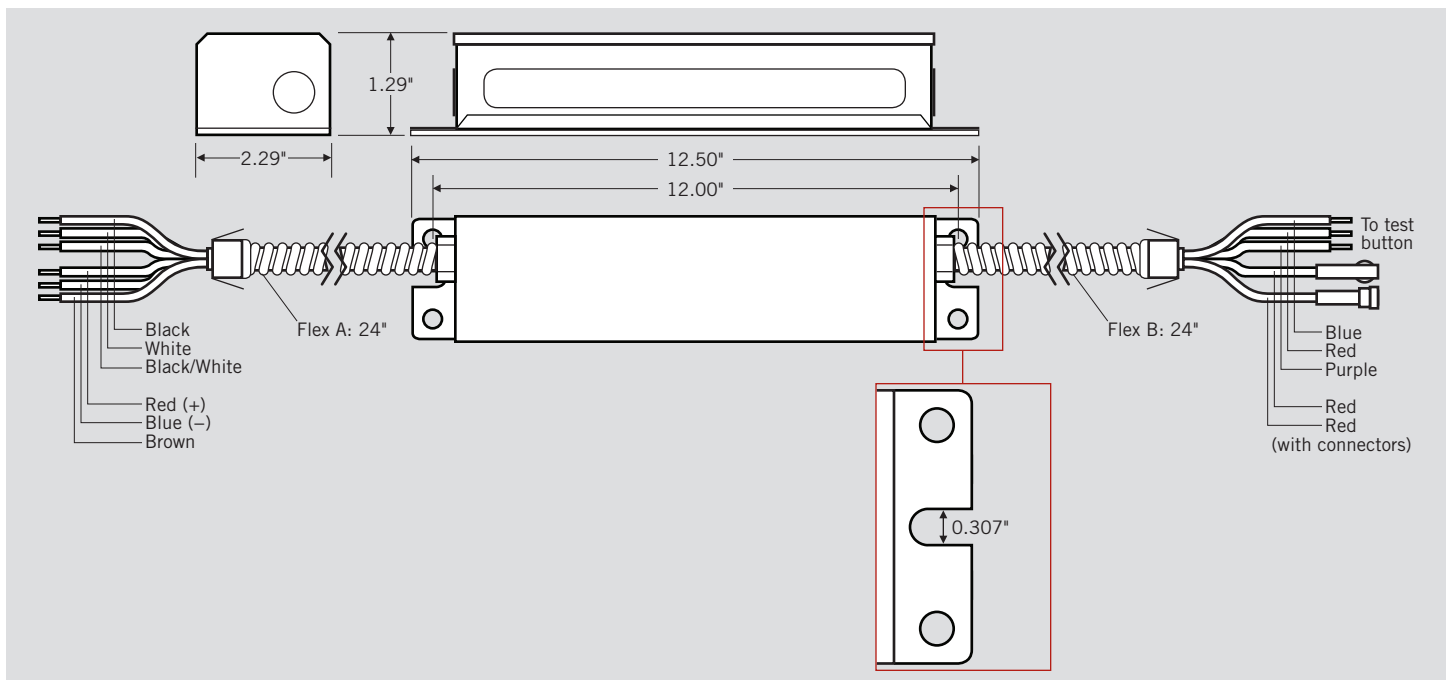
- Drives LED loads at 12W (nominal) for a minimum of 90 minutes
- Meets FCC Part 15 (Class B) consumer limits
- Short circuit overload and open load protection
- Suitable for dry and damp locations
- Evaluated to UL 924 standards
- Operating temperature: 0°C/32°F to 55°C/131°F
- Input frequency: 50/60 Hz
- Test switch/Charging indicator light and wall plate included
- LiFePO4 battery: 3 cells, 9.6Vdc
- Dual flex conduit fits into ½" knockouts
- Complies with CEC efficiency standards
- Class 2 output
- Listed for field or factory installation: UL 924 and CSA C22.2 no. 141 emergency lighting compliant

### ELECTRICAL SPECIFICATIONS

Family	INPUT CHARACTERISTICS			OUTPUT CHARACTERISTICS		
	Input Voltage	Power Factor	Max. Current	Max. Output Power	Rated Output Current	Output Voltage
12W	120–277Vac	$\geq$ 0.5	0.050A @ 120V	12W	600mA–250mA	20–54Vdc

Emergency pack designed to deliver 12W to a constant current LED load. Approximate output is 1200 lumens, assuming a nominal minimum efficacy of 100 lm/W.  
Note: Output power will drop slightly when the output voltage is  $\geq$  49Vdc.

### PHYSICAL SPECIFICATIONS

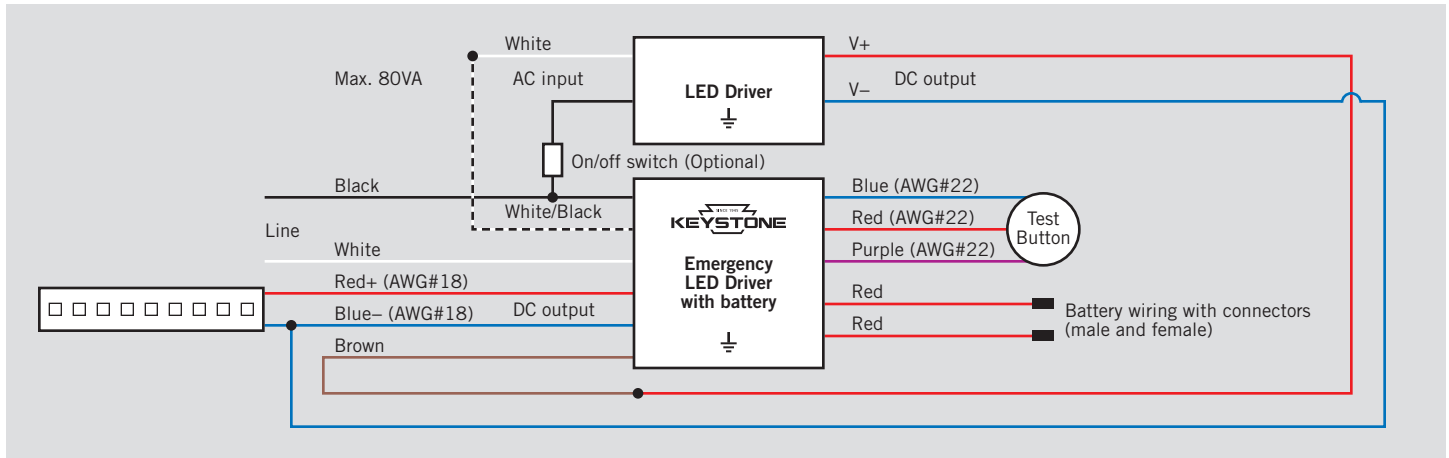




# KT-EMRG-LED-12C-1200-EN /DF

## CONSTANT WATTAGE LED EMERGENCY BACK-UP

### WIRING SPECIFICATIONS



### ORDERING INFORMATION

ORDER CODE	DESCRIPTION	PACKAGING STYLE	PACK QUANTITY	ITEM STATUS
KT-EMRG-LED-12C-1200-EN /DF-IP	1-Piece LED Emergency Back-up with Dual Flex Conduit	Individually Packaged	1	Active

### ALTERNATIVE OPTIONS

ORDER CODE	DESCRIPTION	PACKAGING STYLE	PACK QUANTITY	ITEM STATUS
KT-EMRG-LED-12C-1200-EN /RJSF-IP	1-Piece LED Emergency Back-up with Rear Junction Leads and Single Flex Conduit (Flex B)	Individually Packaged	1	Active
KT-EMRG-LED-12C-1200-EN-IP	1-Piece LED Emergency Back-up with Standard Wire Leads	Individually Packaged	1	Active

### CATALOG NUMBER BREAKDOWN

# KT-EMRG-LED-12C-1200-EN /DF-IP

- 1
- 2
- 3
- 4
- 5
- 6
- 7
- 8

- 1 Keystone Technologies
- 2 Emergency Back-up Driver
- 3 LED Driver
- 4 Wattage Family (CEC Compliant)
- 5 Nominal Lumen Output
- 6 1-Piece Enclosure
- 7 Dual Flex Conduit
- 8 Packaging Style